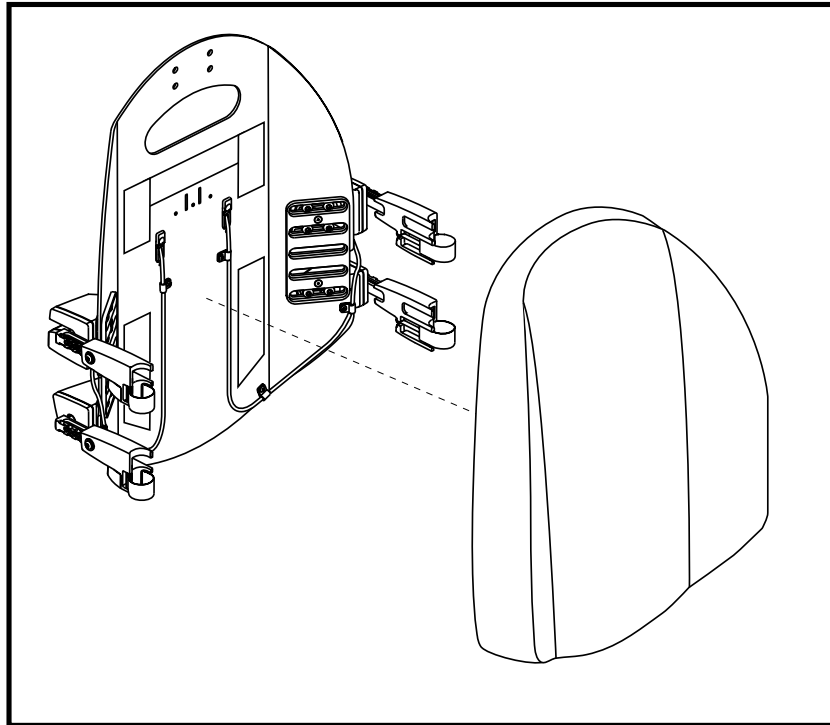


# INSTALLATION AND CARE INSTRUCTIONS

---

# Synergy<sup>TM</sup> Shape Back<sup>®</sup>

ACN# 088 609 661



**QUANTUM<sup>®</sup>**  
**REHAB**  
**INNOVATIVE REHAB SOLUTIONS**

A Division of Pride Mobility Products<sup>®</sup> Corp.

## SAFETY GUIDELINES



**WARNING!** A Quantum Rehab Specialist or a qualified technician must perform the initial setup of this product and must perform all of the instructions in this manual.

The symbols below are used throughout this owner's manual and on the product to identify warnings and important information. It is very important for you to read them and understand them completely.



**WARNING!** Indicates a potentially hazardous condition/situation. Failure to follow designated procedures can cause either personal injury, component damage, or malfunction. On the product, this icon is represented as a black symbol on a yellow triangle with a black border.

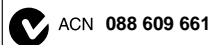


**MANDATORY!** These actions should be performed as specified. Failure to perform mandatory actions can cause personal injury and/or equipment damage. On the product, this icon is represented as a white symbol on a blue dot with a white border.



**PROHIBITED!** These actions are prohibited. These actions should not be performed at any time or in any circumstances. Performing a prohibited action can cause personal injury and/or equipment damage. On the product, this icon is represented as a black symbol with a red circle and a red slash.

***NOTE: These instructions are compiled from the latest specifications and product information available at the time of publication. We reserve the right to make changes as they become necessary. Any changes to our products may cause slight variations between the illustrations and explanations in this manual and the product you have purchased. The latest/current version of this manual is available on our website.***



Copyright © 2007  
Pride Mobility Products Corporation  
INFMANU2873/Rev C/June 2007

<h1>TABLE OF CONTENTS</h1>
----------------------------

**LABEL INFORMATION ..... 4**

**INTRODUCTION ..... 5**

**THE SYNERGY SHAPE BACK ..... 7**

**MOUNTING BRACKET COMPONENTS ..... 9**

**INSTALLATION AND USE ..... 10**

**COMFORT ADJUSTMENTS ..... 12**

**REMOVING THE SYNERGY SHAPE BACK ..... 17**

**CLEANING ..... 17**

**STORAGE ..... 19**

**CARE AND MAINTENANCE ..... 19**

**WARRANTY ..... 19**

# LABEL INFORMATION

## **PRODUCT SAFETY SYMBOLS**

The symbols below are used on the product to identify warnings, mandatory actions, and prohibited actions. It is very important for you to read and understand them completely.



Read and follow the information in the owner's manual.

## INTRODUCTION

WELCOME to Quantum Rehab, a division of Pride Mobility Products Corporation (Pride). The product you have purchased combines state-of-the-art components with **safety**, comfort, and styling in mind. We are confident that the design features will provide you with the conveniences you expect during your daily activities. Understanding how to **safely** use and care for this product should bring you years of trouble free operations and service.

**Read and follow** all instructions, warnings, and notes in this manual and all other accompanying literature before attempting to use this product for the first time. In addition, your **safety** depends upon you, as well as your provider, caretaker, or healthcare professional in using good judgement.

This manual is to be used in addition to the owner's manual that came with your chair. If there is any information in this manual which you do not understand, or if you require additional assistance for setup or operation, please contact your Quantum Rehab Specialist. **Failure to follow the instructions, warnings, and notes in this manual and those located on your Pride product can result in personal injury and/or product damage and will void Pride's product warranty.**

## PURCHASER'S AGREEMENT

By accepting delivery of this product, you promise that you will not change, alter, or modify this product or remove or render unusable or unsafe any guards, shields, or other safety features of this product; fail, refuse, or neglect to install any retrofits kits from time to time provided by Pride to enhance or preserve the safe use of this product.

## INFORMATION EXCHANGE

We want to hear your questions, comments, and suggestions about this manual. We would also like to hear about the safety and reliability of your new Pride product, and about the service you received from your Quantum Rehab Specialist. Please notify us of any change of address, so we can keep you apprised of important information about safety, new products, and new options that can increase your ability to use and enjoy your Pride product.

Please feel free to contact us at the address below:

Pride Mobility Products Corporation  
Attn: Customer Care Department  
182 Susquehanna Avenue  
Exeter, PA 18643-2694

***NOTE: If you ever lose or misplace your product registration card or your copy of this manual, contact us and we will be glad to send you a new one immediately.***

**My Quantum Rehab Specialist Is:**

Name: \_\_\_\_\_

Address: \_\_\_\_\_

Phone Number: \_\_\_\_\_

Purchase Date: \_\_\_\_\_

## THE SYNERGY SHAPE BACK

The Synergy Shape Back is a unique seatback cushion that is available in standard, tall, and low versions and is fully adjustable for user comfort and positioning needs. Figures 1 and 2 provide information on the Synergy Shape Back components and cushions. Use this diagram to familiarize yourself with the function and location of each component before using the Synergy Shape Back.

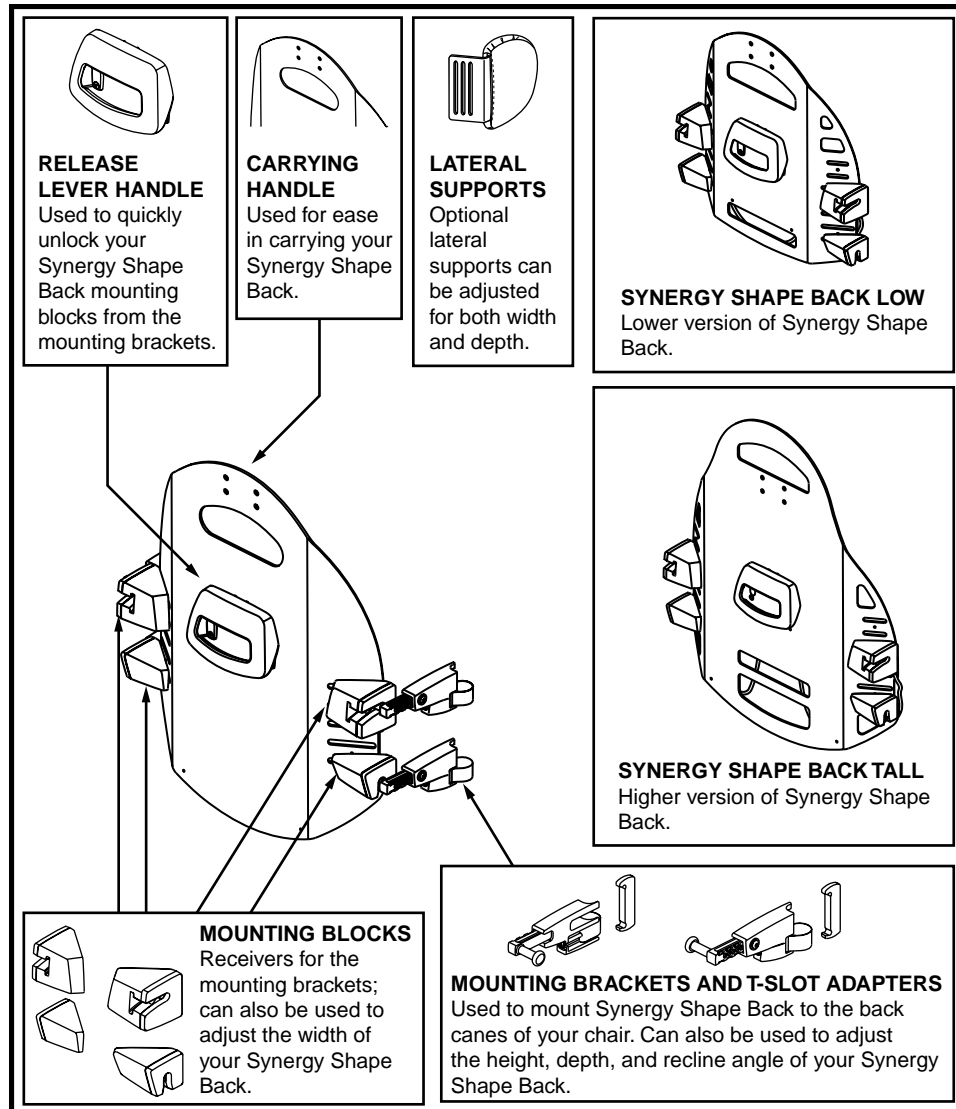
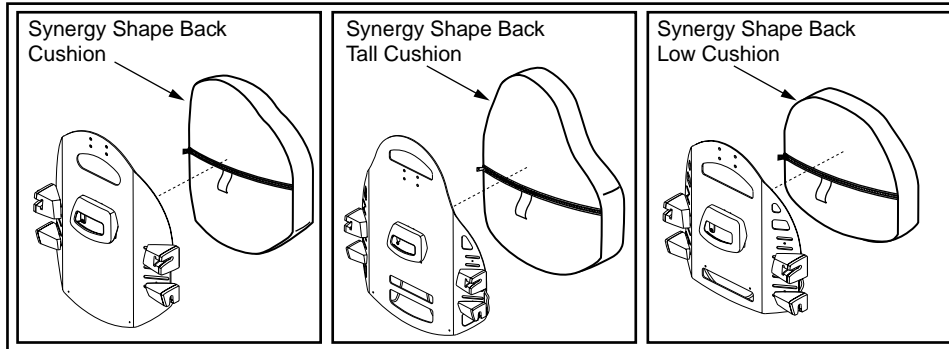


Figure 1. Synergy Shape Back Components



**Figure 2. Synergy Shape Back Cushions**



## MOUNTING BRACKET COMPONENTS

The mounting bracket components consist of a mounting pin, a positioning screw, and a safety setscrew. See figures 3 and 4.

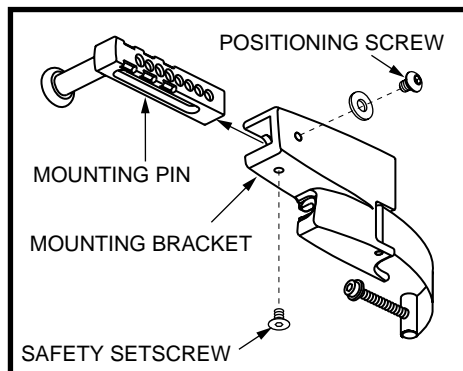
### Moving the Mounting Pin

The mounting pin can be used in either the front or back of the mounting bracket and works with the positioning screw to set the Synergy Shape Back at the desired recline angle and seat depth. The safety setscrew must be removed before the mounting pin can be removed and must be reinstalled once the mounting pin is in place. To maximize seat depth, position the mounting pins in the back of the mounting bracket. See figure 3. To minimize seat depth, position the mounting pins in the front of the mounting brackets. See figure 4. To maximize recline, position the top mounting pins in the back of the mounting bracket and the bottom mounting pins in front of the mounting bracket. For more information regarding seat adjustments, see “Comfort Adjustments.”

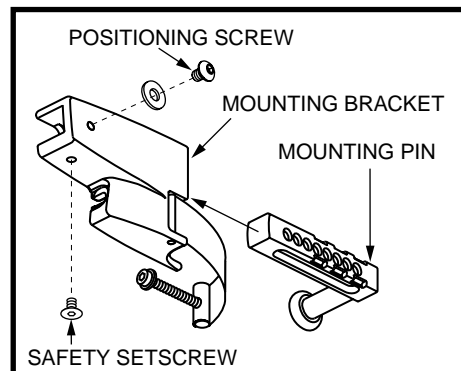


**WARNING!** Make sure the safety setscrew is tightly in place before using the Synergy Shape Back.

**NOTE:** *There will be some resistance when removing the safety setscrew.*



**Figure 3. Back Mounting Pin Location**



**Figure 4. Front Mounting Pin Location**

## INSTALLATION AND USE



**WARNING!** Make sure the safety setscrew is tightly in place before using the Synergy Shape Back.

**NOTE:** *Seatback recline angle, depth, width, and height may be set prior to mounting the Synergy Shape Back on the chair. See “Comfort Adjustments.”*

### To install the Synergy Shape Back on chairs with solid back canes:

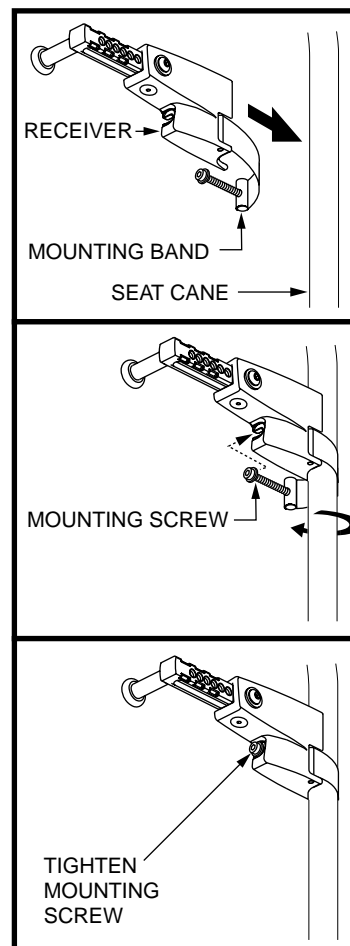


**WARNING!** Prolonged exposure to the mounting band may cause skin irritation. Avoid prolonged contact.

1. Locate the “L” or “R” label on the mounting bracket. The bracket marked “L” is for use on the left side and the bracket marked “R” is for use on the right side. The right bracket is shown in figure 5 for reference.
2. Hold the Synergy Shape Back up to the desired height on the seat canes and make note of where the mounting brackets will be located.
3. Starting on one side, wrap the mounting band of the top bracket around the back cane so the mounting band is on the bottom. Fasten the mounting screw into the receiver. See figure 5.
4. Wrap the bottom mounting band marked for that side around the back cane so the mounting band is on the bottom. Fasten the mounting screw into the receiver. See figure 5.
5. Repeat for the other side.



**WARNING!** Ensure the hardware is tight.



**Figure 5. Mounting Bracket Installation on Solid Canes**

- Once the mounting brackets are in place, stand behind the chair and align the bottom mounting block on the seatback with the mounting pin on the bottom mounting bracket. Make sure to angle the seatback forward. See figure 7. Rotate the seatback backwards until it clicks into place.

**NOTE:** *The zipper on the cushion will face the rear of the seat.*

**To install the Synergy Shape Back on chairs with T-slotted back canes:**

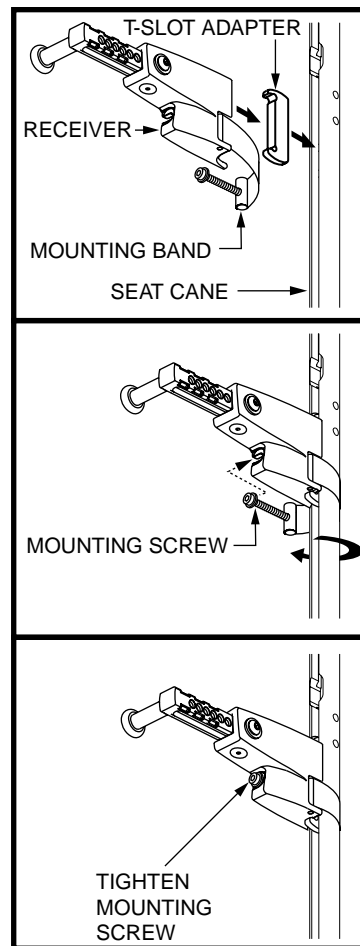


WARNING! Prolonged exposure to the mounting band may cause skin irritation. Avoid prolonged contact.

- Locate the “L” or “R” label on the mounting bracket. The bracket marked “L” is for use on the left side and the bracket marked “R” is for use on the right side. The right bracket is shown in figure 6 for reference.
- Hold the Synergy Shape Back up to the desired height on the seat canes and make note of where the mounting brackets will be located.
- Install the T-slot adapter as shown in figure 6.
- Starting on one side, wrap the mounting band of the top bracket around the back cane so the mounting band is on the bottom. Fasten the mounting screw into the receiver. See figure 6.
- Wrap the bottom mounting band marked for that side around the back cane so the mounting band is on the bottom. Fasten the mounting screw into the receiver. See figure 6.
- Repeat for the other side.

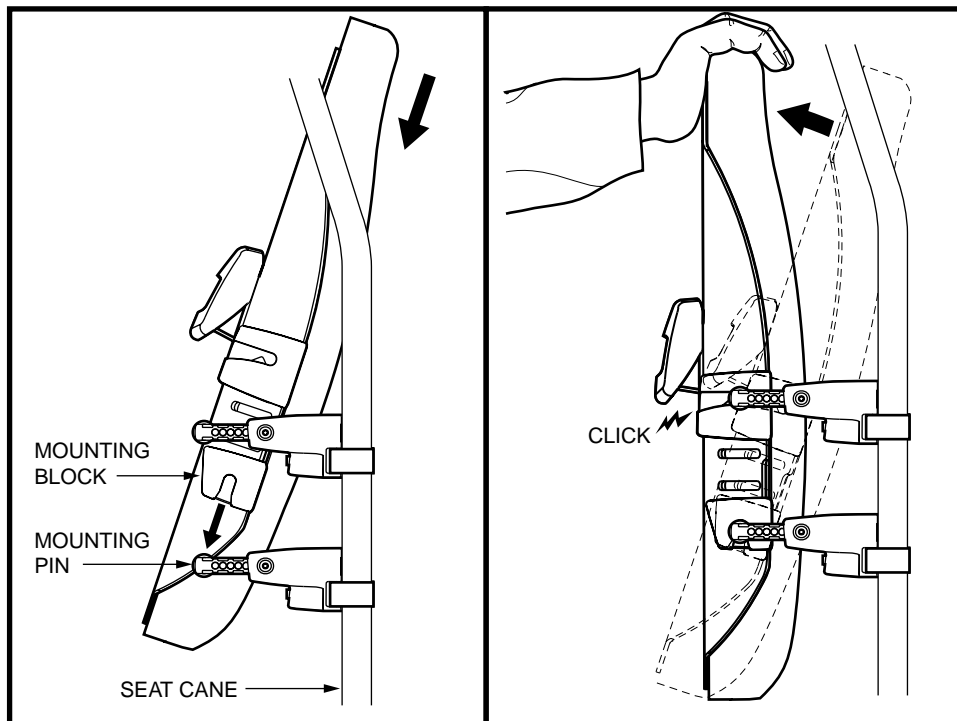


WARNING! Ensure the hardware is tight.



**Figure 6. Mounting Bracket Installation on T-slotted Canes**

- Once the mounting brackets are in place, stand behind the chair and align the bottom mounting block on the seatback with the mounting pin on the bottom mounting bracket. Make sure to angle the seatback forward. See figure 7. Rotate the seatback backwards until it clicks into place.



**Figure 7. Installing the Synergy Shape Back**

## COMFORT ADJUSTMENTS

Once you are familiar with the operation of your chair, there are adjustments you can make to your Synergy Shape Back to increase your comfort, like seatback depth, recline angle, width, and height. See figures 8, 9, 10, and 11.



**WARNING!** If your Synergy Shape Back was configured by your Quantum Rehab Specialist, please consult your healthcare professional before changing the position of your Synergy Shape Back.

**WARNING!** Never make adjustments while the chair is occupied.

## Seatback Depth

The seatback depth adjustment range is 4 in. (10.16 cm).

### To increase the seatback depth:

1. Ensure the mounting pins are located in the back of the mounting bracket.
2. Loosen the safety setscrew. See figure 3 or 4.
3. Loosen the positioning screws in both the top and bottom mounting brackets.
4. Slide the mounting pin out. See figure 8.
5. Retighten the positioning screws.
6. Retighten the safety setscrew.

### To decrease the seatback depth:

1. Ensure the mounting pins are located in the front of the mounting bracket.
2. Loosen the safety setscrew. See figure 3 or 4.
3. Loosen the positioning screws in both the top and bottom mounting brackets.
4. Slide the mounting pin in. See figure 8.
5. Retighten the positioning screws.
6. Retighten the safety setscrew.



WARNING! When adjustments are complete, be sure to tighten all of the positioning screws and the safety setscrew if you moved the mounting pins.

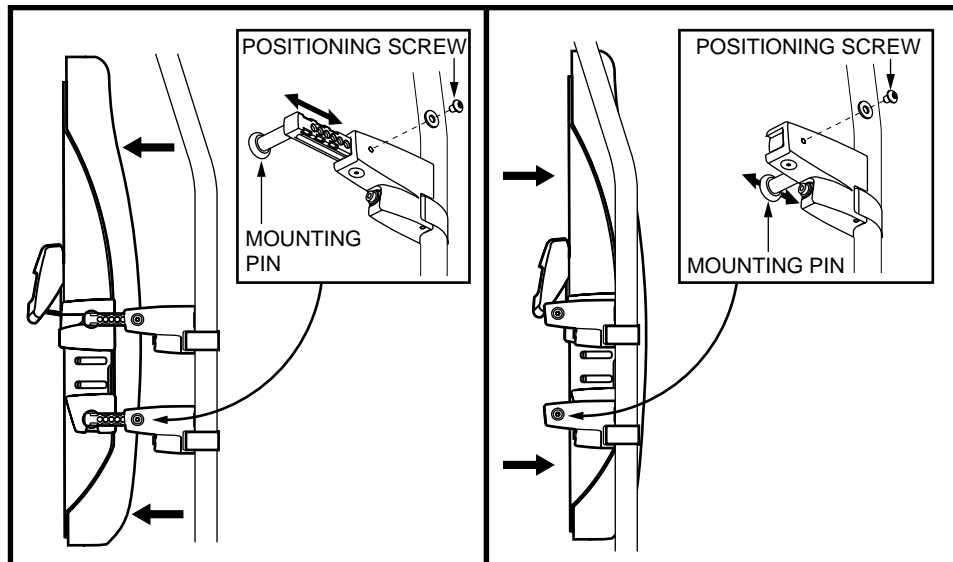


Figure 8. Seatback Depth Adjustment

## Recline Angle

The recline angle can be adjusted from  $-33^\circ$  to  $57^\circ$ .

### To increase the recline angle:

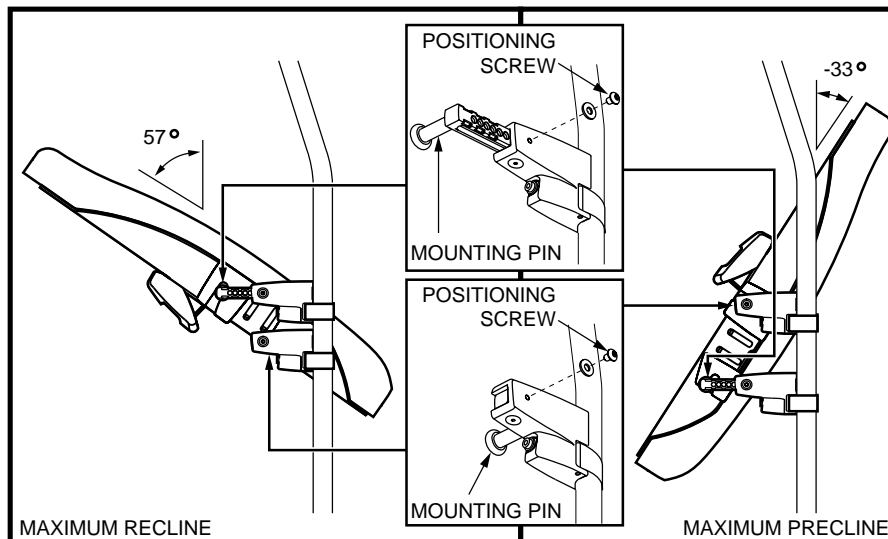
1. Loosen the safety setscrew. See figure 3 or 4.
2. Loosen the positioning screws on the top mounting brackets.
3. Move the mounting pins out.
4. If necessary, loosen the positioning screws on the bottom mounting brackets and move the mounting pins in. See figure 9. It may be necessary to move the mounting pins to the front location. See figure 4.
5. Retighten the positioning screws.
6. Retighten the safety setscrew.

### To increase the precline angle:

1. Loosen the safety setscrew. See figure 3 or 4.
2. Loosen the positioning screws on the top mounting brackets.
3. Move the mounting pins in.
4. If necessary, loosen the positioning screws on the bottom mounting brackets and move the mounting pins out. It may be necessary to move the mounting pins to the back location. See figure 3.
5. Retighten the positioning screws.
6. Retighten the safety setscrew.



**WARNING!** When adjustments are complete, be sure to tighten all of the positioning screws and the safety setscrew if you moved the mounting pins to the front or rear position.



**Figure 9. Maximum Recline and Precline Angle Adjustment**

## Seatback Width

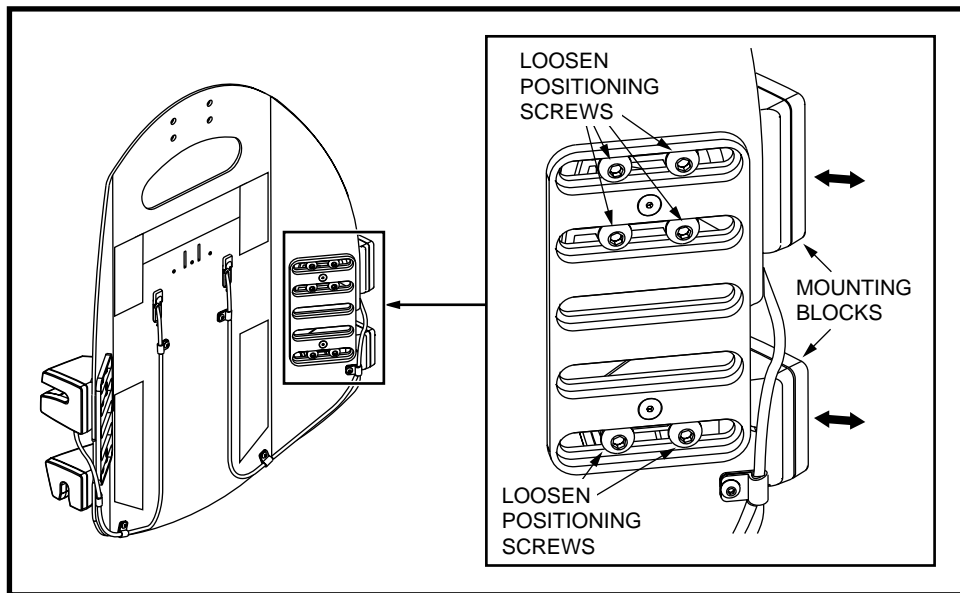
The seatback width adjustment range is 2 in. (5.08 cm) to accommodate different chair widths.

### To adjust for different chair widths:

1. Loosen the positioning screws in the lateral supports.
2. Slide the mounting blocks closer to the edge of the seatback for wider chairs and closer to the middle of the seatback for narrower chairs. See figure 10.



**WARNING!** When adjustments are complete, be sure to tighten all of the positioning screws



**Figure 10. Lateral Support Adjustment**

## Seatback Height

The seatback height adjustment range depends on the length of your seat canes.

### To raise the seatback height:

1. Loosen all four mounting screws.
2. Reposition all four mounting brackets higher on the seat canes. See figure 11.
3. Tighten all four mounting screws.

### To lower the seatback height:

1. Loosen all four mounting screws.
2. Reposition all four mounting brackets lower on the seat canes. See figure 11.
3. Tighten all four mounting screws.



WARNING! When adjustments are complete, be sure to tighten all of the mounting screws.

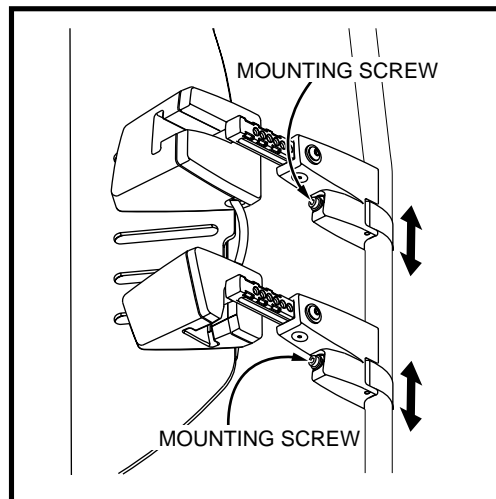


Figure 11. Seatback Height Adjustment



## REMOVING THE SYNERGY SHAPE BACK

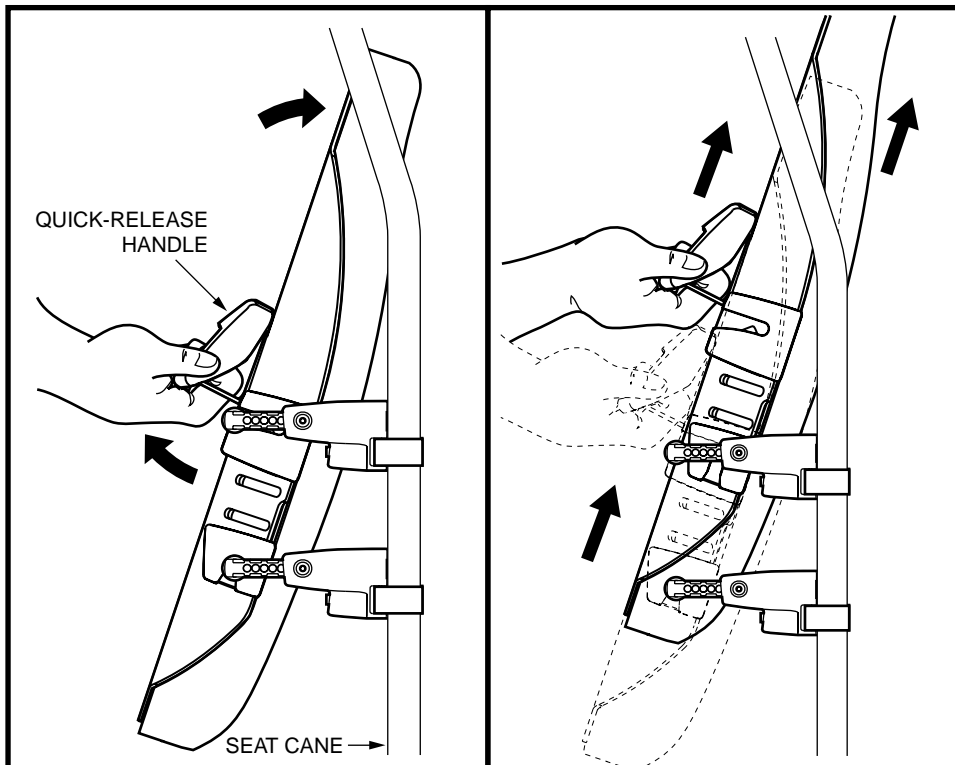
Your Synergy Shape Back can easily be removed using the quick-release system.

### To remove the Synergy Shape Back:

1. Set the park brake or turn the controller off, if equipped.
2. Lift the quick-release handle on the back of the seatback and push the seat forward and up with one sweeping motion. See figure 12.



**WARNING!** Do not attempt to remove the Synergy Shape Back when the chair is occupied.



**Figure 12. Removing the Synergy Shape Back**

## CLEANING

The Synergy Shape Back can be easily cleaned.

### To clean the Synergy Shape Back:

1. Locate the zipper on the back side of the outer cover. See figure 13.
2. Unzip the cover and pull out the inner cushion.
3. Wash the outer cover in a washing machine on the COLD setting.

WARNING! Do not use bleach when washing the cover.



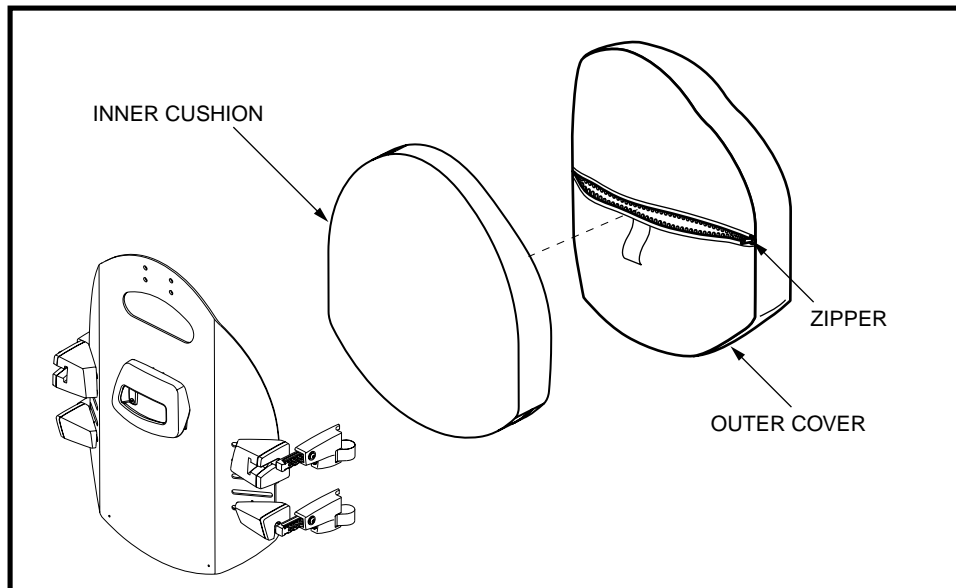
WARNING! Never submerge the inner cushion of your Synergy Shape Back in water. The inner cushion is protected by a fluid-resistant cover, but it is not intended for direct exposure to water.

4. Allow the outer cover to air dry.



WARNING! Do not attempt to put the outer cover in a dryer. This may cause shrinking.

5. Once dry, put the inner cushion back inside the cover. Zip the cover closed, and replace the Synergy Shape Back onto the seat of your chair.



**Figure 13. Synergy Shape Back Cover Removal**

## STORAGE

The Synergy Shape Back should not be stored in extremely hot or cold temperatures.



WARNING! Extreme temperatures can affect the temperature of your seating system components and may cause skin irritation. Use caution when your power chair has been used or stored in an extremely hot or cold environment.

## CARE AND MAINTENANCE

Refer to your power chair owner's manual for proper disposal instructions.

Be aware of safety issues while smoking.



WARNING! Pride strongly recommends that you do not smoke cigarettes while seated in your seating system although the seating system has passed the necessary testing requirements for cigarette smoking. You must adhere to the following safety guidelines if you decide to smoke cigarettes while seated in your seating system

- Do not leave lit cigarettes unattended.
- Keep ashtrays a safe distance from the seating system.
- Always make sure cigarettes are completely extinguished before disposal.

All hardware on the Synergy Shape Back should be checked monthly to ensure that it is tight.



WARNING! Tighten any hardware immediately to prevent personal injury or property damage.

## WARRANTY

The Synergy Shape Back cushion is designed and produced to the highest of standards. Our Synergy Shape Back cushion is guaranteed to be free of defects in material and workmanship for a period of 24 months. The outer cover is guaranteed to be free of defects in material and workmanship for a period of 90 days. If any defect in material or workmanship is found, Pride Mobility Products will repair or replace, at our discretion, the Synergy Shape Back cushion. This warranty does not apply to cushions abused or misused by the user and deemed such by Pride Mobility Products.

Claims and repairs should be processed through the nearest Quantum Rehab Specialist.

**QUANTUM®**  
**REHAB**  
**INNOVATIVE REHAB SOLUTIONS**

A Division of Pride Mobility Products® Corp.

**Pride Mobility Products Corporation**

182 Susquehanna Avenue  
Exeter, PA 18643-2694  
USA

**Pride Mobility Products Company**

380 Vansickle Road Unit 350  
St. Catharines, Ontario L2R 6P7  
Canada

**Pride Mobility Products Ltd.**

Unit 106, Heyford Park Camp Road  
Upper Heyford, Oxfordshire OX25 5HA

**Pride Mobility Products Australia Pty. Ltd.**

21 Healey Road  
Dandenong, 3175  
Victoria, Australia

**Pride Mobility Products Italia S.r.l.**

Via del Progresso - ang. Via del Lavoro  
Loc. Prato della Corte  
00065-Fiano Romano (RM)

**Pride Mobility Products Europe B.V.**

Tijnmuiden 28  
1046 AL Amsterdam  
The Netherlands

**Pride**  
*Mobility Products Corp.*

[www.pridemobility.com](http://www.pridemobility.com)   [www.prideservice.com](http://www.prideservice.com)   [www.quantumrehab.com](http://www.quantumrehab.com)

\* I NFMANU2873 \*